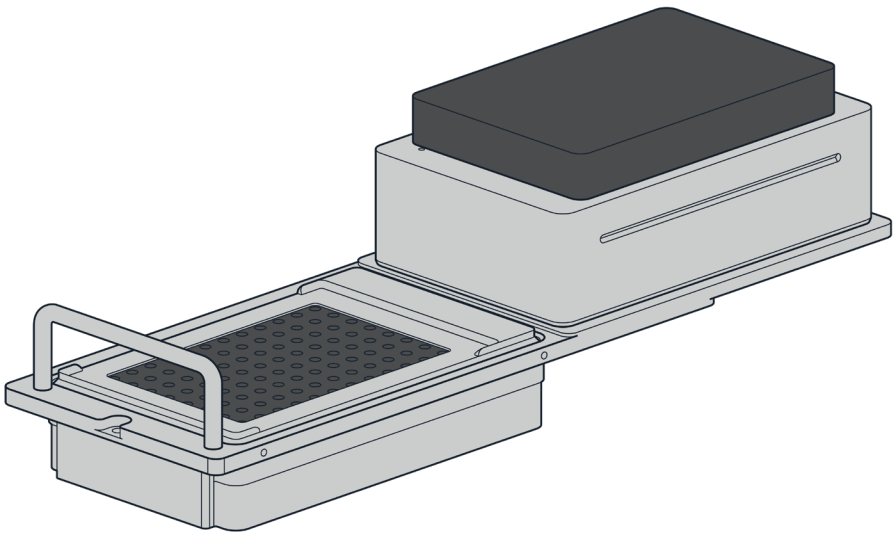




Absorbance Plate Reader Module

Quickstart Guide



Opentrons Labworks Inc.

September 2024

Product Description

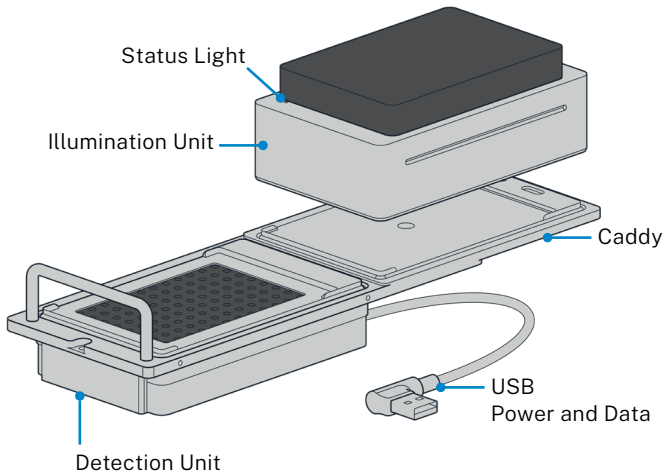
The Opentrons Absorbance Plate Reader Module is an on-deck microplate spectrophotometer that works with the Flex liquid handling robot. It uses light absorbance to determine sample concentrations. The module accepts ANSI/SBS-standard 96-well plates and has 96 separate detection units, which allows for rapid endpoint or kinetic sample analysis. The Absorbance Plate Reader is designed for laboratory research and other non-in-vitro diagnostic analyses.

The Opentrons Flex Absorbance Plate Reader may currently not be offered, used or put on the market in any European Patent Convention States due to a third party patent application.

Table of Contents

Product Elements	4
- Box Contents	
Deck Placement	4
Flex Attachment Steps	5
Additional Product Information	5
- Maintenance	
- Warranty	
- Support	
- App Download	
- Recommended Operating Conditions	
- Manufacturer Description	

Product Elements



BOX CONTENTS

- (1) Absorbance Plate Reader Module
- (1) Caddy for deck mounting
- (1) USB cable
- (2) Spare deck slot screws (M4x10 mm socket head)
- (1) Cleaning cloth
- (1) Test certificate

Deck Placement

The plate reader fits in deck slots A3–D3 only. The module comes preinstalled in its own caddy, which attaches the unit to the deck.



Note: Other deck fixtures may need one of these slots. For example, the default location for the internal trash bin is slot A3, but it can go in other deck locations.

The external waste chute requires slot D3, so you need to install the plate reader in A3, B3, or C3 to use it with the chute.

Flex Attachment Steps

To attach the Absorbance Plate Reader to your Flex:

- 1 Use a 2.5 mm hex screwdriver to remove the deck slot you want to use for the module. Retain the screws.
- 2 Insert the module into the open deck slot and secure it with the screws you removed in Step 1.
- 3 Route the USB cable under the deck and attach it to a USB port on the right side of the robot.

When connected, the Absorbance Plate Reader appears in the Instruments and Modules section on your robot's device details page in the Opentrons App. It does not require positional calibration after installation. You can use the Absorbance Plate Reader as soon as the robot detects it.

Additional Product Information

MAINTENANCE

Use a soft cloth dampened with water to wipe off all exterior surfaces. You can also use a mild soap and water solution to clean heavily soiled areas or to remove tenacious residue.

Use the included cleaning cloth or compressed air to remove dust or dirt from the interior surfaces of the illumination and detection units. You can also use a cloth dampened with 80% ethanol if a light dusting does not clean these parts of the plate reader sufficiently.

**Note:**

- Do not spray cleaning liquids directly onto the plate reader.
- Never clean the device with stiff brushes, abrasive detergents, harsh solvents, or other corrosive agents.
- Wear protective gloves when cleaning involves potential contact with hazardous materials or liquids.

There are no user-repairable parts on the Absorbance Plate Reader. Contact Opentrons Support if the module is damaged.

WARRANTY

All hardware purchased from Opentrons is covered under a 1-year standard warranty. Opentrons warrants to the end-user of the products that they will be free of manufacturing defects due to part quality issues or poor workmanship and also warrants that the products will materially conform to Opentrons' published specifications.

SUPPORT

Opentrons Support can help you with questions about our products and services. If you discover a defect, or believe your product is not functioning to published specifications, contact us at support@opentrons.com.

Please have the module's serial number available when contacting support. You can find the serial number on the side of the detection unit or in the Opentrons App. On the plate reader card in the Instruments and Modules section of your robot's device detail page, click the three-dot menu (:) and then **About**.

APP DOWNLOAD

Control your liquid handling robot and module using the Opentrons App. Download the app for Windows, macOS, or Ubuntu at <https://opentrons.com/ot-app/>.

RECOMMENDED OPERATING CONDITIONS

Environmental temperature: 5–40 °C

Environmental humidity: 70% maximum, non-condensing

MANUFACTURER DESCRIPTION

Opentrons Labworks Inc

45-18 Ct Square W

Long Island City, NY 11101



Post-sales service & contacting Opentrons

If you have any questions about the use of the system, abnormal phenomena, or special needs, please contact: support@opentrons.com. Also visit www.opentrons.com.