

Gripper

The Opentrons Flex Gripper is an instrument that can pick up labware and move it around the deck automatically. Adding a gripper to the Flex helps improve automated workflows in your lab. This guide provides a high-level overview of gripper features, including basic installation, maintenance, and warranty information.



Labware Compatibility

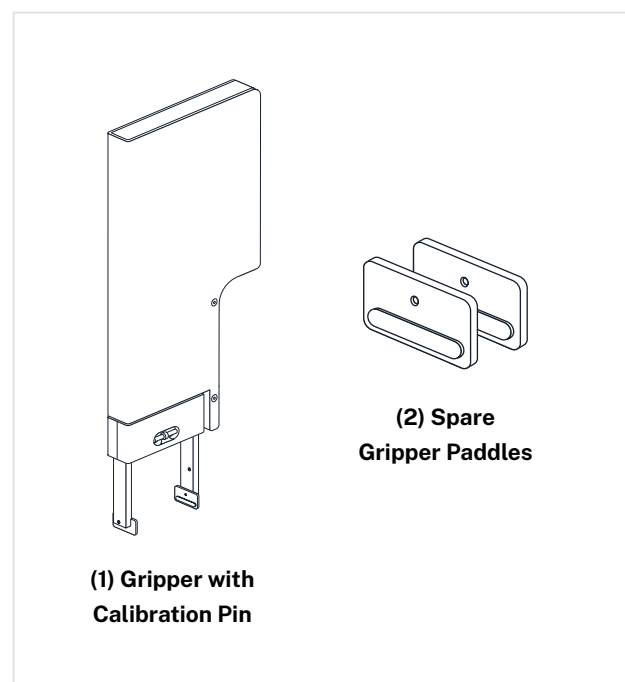
The gripper is compatible with labware of the following types:

- Certain full-skirted 96-well plates, including Opentrons Tough PCR plates
- Certain deep well plates
- All Opentrons Flex tip racks

Check the Opentrons Labware Library for the latest compatibility information: <https://labware.opentrons.com>.

The Flex Gripper may work with other ANSI/SLAS compliant labware, but this is not recommended.

Box Contents



Installation and Maintenance

Information about gripper installation and care.

ATTACH

Instructions on the touchscreen, or in the Opentrons App, will guide you through the installation process. On the touchscreen, tap **Instruments** and then tap **Extension Mount**. To attach your gripper:

1. Clear the deck area so it is free from obstructions. The gantry will move during the installation process.
2. Connect the gripper to the right side of the gantry arm by aligning the mounting holes on the back of the gripper with the pins on the side of the gantry arm.
3. Secure the gripper by tightening the three 2.5 mm mounting screws in a clockwise pattern. These are captive screws recessed into holes located on the front of the gripper.

CALIBRATE

The gripper requires calibration before use. Instructions on the touchscreen, or in the Opentrons App, will guide you through the calibration process. To calibrate your gripper:

1. Clear the deck area so it is free from obstructions. The gantry and gripper will move during calibration.
2. Attach the calibration pin to the front jaw of the gripper and follow the instructions on the touchscreen. You'll repeat the calibration process for the rear jaw.
3. Remove the calibration pin and store it in the magnetic storage area when calibration is complete. Your gripper is ready for use.

CLEAN

Clean the outside of the gripper with a soft cloth and isopropyl alcohol or ethyl alcohol. Do not use acetone or other aggressive solvents. For information about cleaning and decontamination, scan the QR code or search for "gripper cleaning" on support.opentrons.com.



Warranty

All hardware purchased from Opentrons is covered under a 1-year standard warranty. Opentrons warrants to the end-user of the products that they will be free of manufacturing defects due to part quality issues or poor workmanship and also warrants that the products will materially conform to Opentrons' published specifications.

Support

Opentrons Support can help you with questions about our products and services. If you discover a defect, or believe your product is not functioning to published specifications, contact us at support@opentrons.com.

Please have the gripper's serial number available when contacting support. You can find the serial number on the back of the gripper or via the touchscreen (tap **Instruments** and tap the gripper).



© OPENTRONS 2023

Opentrons Flex™ (Opentrons Labworks, Inc.)
Registered names, trademarks, etc. used in this document, even when not specifically marked as such, are not to be considered unprotected by law.