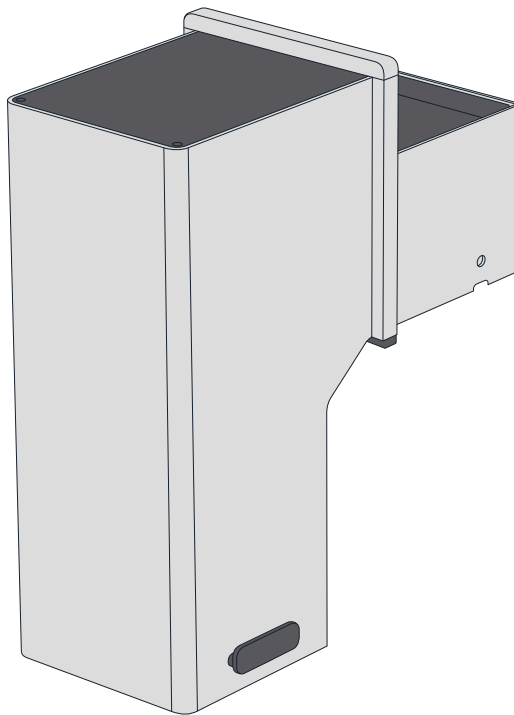




Waste Chute

Quickstart Guide



Opentrons Labworks Inc.

November 2023

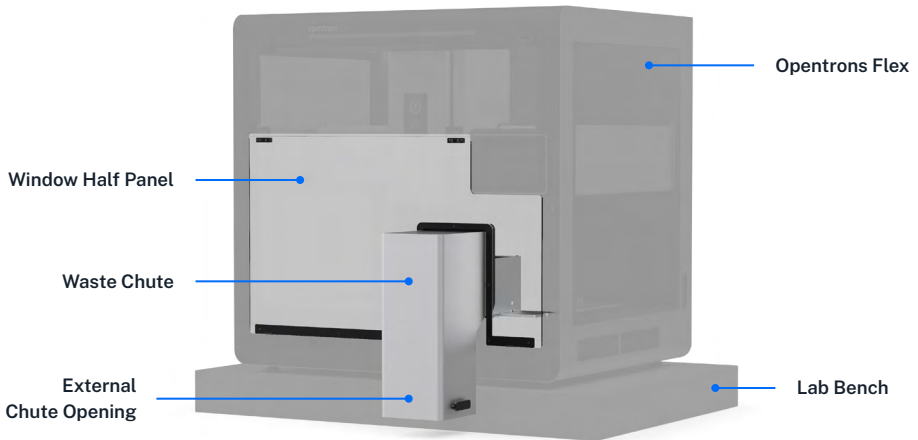
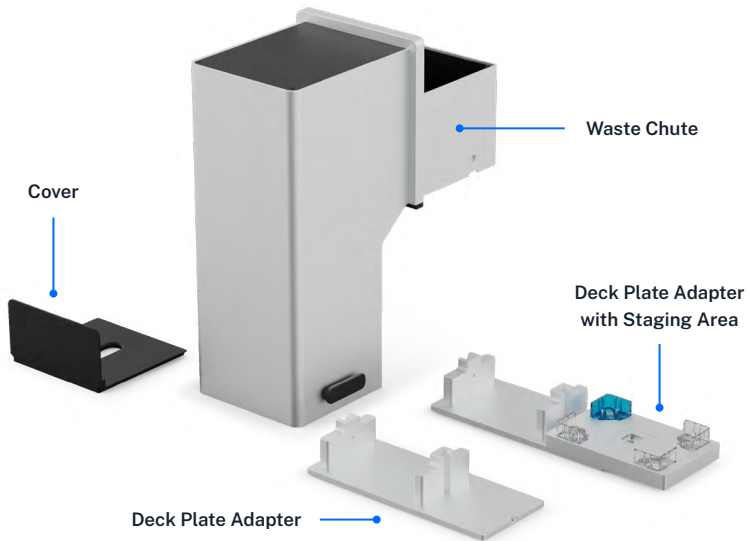
Product Description

The Opentrons Flex Waste Chute is a deck fixture for the Opentrons Flex liquid handling robot. It transfers waste from the Flex enclosure to any trash receptacle placed below its external opening. The waste chute accepts tips, tip racks, and well plates dropped into it by Flex pipettes or the Opentrons Flex Gripper. The waste chute helps improve Flex performance because you can run protocols with fewer stops to empty the trash.

Table of Contents

Product Elements	3
– Box Contents	
Attachment Steps	4
– Before You Begin	
– Replacing the Door Panel	
– Installing the Waste Chute	
Software Controls	5
Waste Chute Cover	6
Waste Containers	6
Cleaning	6
Additional Product Information	7
– Warranty	
– Support	
– App Download	
– Manufacturer Description	

Product Elements



BOX CONTENTS

(1) Waste Chute

(1) Deck Plate Adapter

(1) Waste Chute Cover

(2) 2.5 mm Screws

(1) Deck Plate Adapter with Staging Area

(1) Window Half Panel (packaged separately)

Attachment Steps

BEFORE YOU BEGIN

The waste chute fits into deck slot D3 and extends about 17 cm (7 inches) in front of the Flex. To install it, you'll have to remove the lower door panel and replace it with the panel that comes with the chute. Keep the original door panel for future use. Ask a lab partner for help while installing the waste chute.

REPLACING THE DOOR PANEL

1. Using a 2.5 mm screwdriver, remove the lower hinge screws (two on each hinge, four total) that fasten the bottom door panel to the top panel. Have a lab partner hold the panel as you loosen the screws. Save the screws.
2. Attach the replacement panel to the hinges using the hinge screws. The door panel cutout should face the lower right side of the deck, aligned with slot D3.
3. Remove the protective film after attaching the new door panel.
4. Move the door up and out of the way so you can install the waste chute.

INSTALLING THE WASTE CHUTE

5. Using a 2.5 mm screwdriver, remove the deck plate from slot D3.
6. Choose which deck slot adapter you want to use, and place it in slot D3. It should fit flush with the deck. If it doesn't, rotate the adapter and try again.
7. Secure the adapter to the deck with the original 2.5 mm deck plate screws.
8. Align the rails under the external opening of the waste chute with the grooves in the deck plate adapter. Press down firmly to slide the chute onto the adapter until it sits flush with the deck.
9. Secure the chute to the adapter with the provided 2.5 mm screws.

Software Controls

The waste chute is an unpowered attachment. It does not contain electronic or mechanical components that communicate with the Flex robot. You tell the robot that the chute is attached by configuring it through the touchscreen or Opentrons App. Once configured, the waste chute is available for use in your protocols.

Configuration Method	Steps
Touchscreen	To configure the waste chute via the touchscreen, go to the dashboard, tap the three-dot menu (:), and then tap Deck configuration . Next, tap on deck slot D3. Follow the onscreen instructions to complete the configuration process.
Opentrons App	To configure the waste chute via the app, click the Devices tab and click on your Flex. Next, in the Deck Configuration section, click deck slot D3. Follow the onscreen instructions to complete the configuration process.

Waste Chute Cover

The cover is a slotted lid that partially blocks the waste chute. The narrow opening on the cover helps prevent aerosols and droplets from contaminating the working area when a 1- or 8-channel pipette drops its attached tips. You cannot use the cover with the 96-channel pipette or when disposing any items with the gripper.

Waste Containers

When using the waste chute, you need to position a trash bin or bag under its external opening to catch items dropped out of the chute. There are no moving parts inside the chute that transfer waste. The waste chute relies on gravity to move dropped items into an external trash container.

Cleaning

The waste chute's interior is powder-coated steel. This durable finish protects the chute against harsh chemicals and resists corrosion. This also means you can clean the chute with mild detergents, surfactants, or common lab cleaning solutions (e.g., diluted alcohol or bleach). Regularly cleaning and sanitizing the waste chute keeps your workspace free from contaminants. See the Maintenance and Service chapter in the [Flex Instruction Manual](#) for more information.



Note: Always adhere to your lab's safety procedures and wear proper protective equipment while cleaning.

Additional Product Information

WARRANTY

All hardware purchased from Opentrons is covered under a 1-year standard warranty. Opentrons warrants to the end-user of the products that they will be free of manufacturing defects due to part quality issues or poor workmanship and also warrants that the products will materially conform to Opentrons' published specifications.

SUPPORT

Opentrons Support can help you with questions about our products and services. If you discover a defect, or believe your product is not functioning to published specifications, contact us at support@opentrons.com.

APP DOWNLOAD

Control your liquid handling robot and modules using the Opentrons App. Download the app for Windows, macOS, or Ubuntu at <https://opentrons.com/ot-app/>.

MANUFACTURER DESCRIPTION

Opentrons Labworks Inc
45-18 Ct Square W
Long Island City, NY 11101



Post-sales service & contacting Opentrons

If you have any questions about the use of the system, abnormal phenomena, or special needs, please contact: support@opentrons.com. Also visit www.opentrons.com.